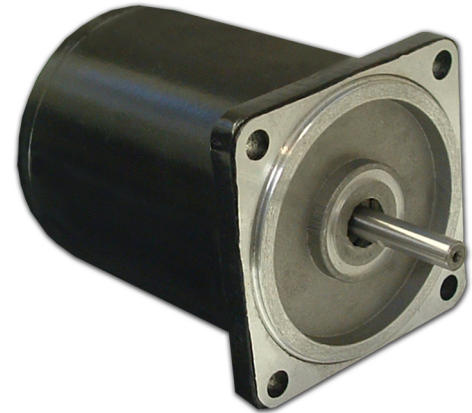


ACW040-090-105 - Single Phase AC Motor



FEATURES

- **Single Phase AC Motor**
- **Torque Up to 42 oz-in**
- **90mm Motor Diameter**
- **40 Watts of Power**
- **Can be Customized for**
 - **Winding Current**
 - **Shaft Options**
 - **Cables and Connectors**



DESCRIPTION

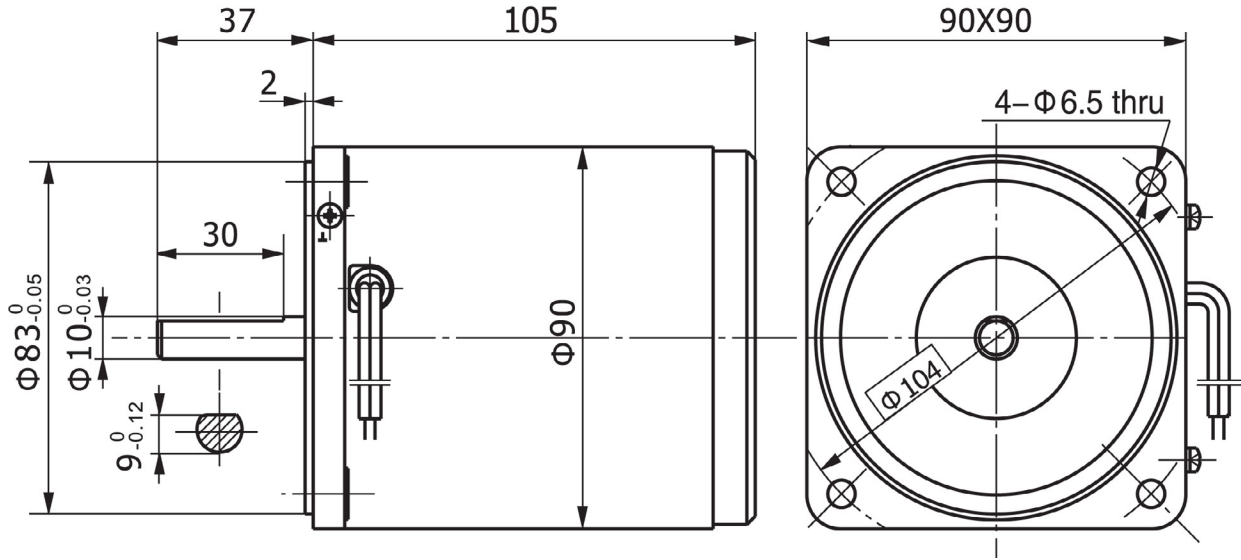
Anaheim Automation's single phase AC motors come in a variety of starting torques, rated torques and current. The ACW040-090-105 AC motor has a starting torque of 42.48 oz-in. They run at up to 1550 RPM with single phase 110VAC, 60Hz. The ACW040-090-105 offers torque ranges up to 42.48 oz-in. Other models are also available a gearbox to provide even higher torques. Custom options for the Single Phase AC motor line include optimizing the maximum speed, torque, current, voltage, cabling, wiring, connectors, and shaft modifications.

SPECIFICATIONS

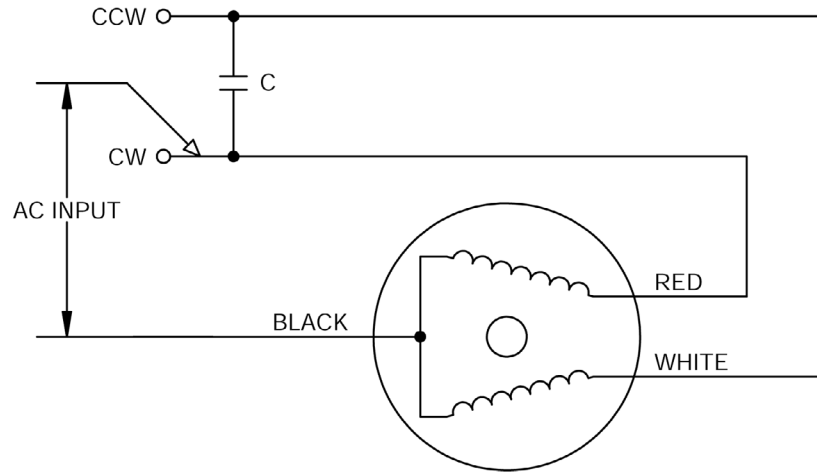
Model #	Input Voltage (VAC)	Power (W)	Current (A)	Motor Speed (RPM)	Start Torque (oz-in)	Rated Torque (oz-in)	Motor Diameter (mm)	Motor Length (mm)	Weight (lbs)
ACW040-090-125-110-1550	110	40	0.68	1550	42.48	41.6	90	105	5.16

L010504

DIMENSIONS



WIRING DIAGRAM



SPECIFICATIONS

Capacitor: uF/VAC	12 / 250	Phase:	Single-phase
Frequency:	60Hz	AC Motor Type:	Reversible
Radial Play:	99.01 lb - Force @ 20mm	Operating Temperature:	10° F to 131°F
Thust Play:	22.05lb - Force	Humidity:	90%